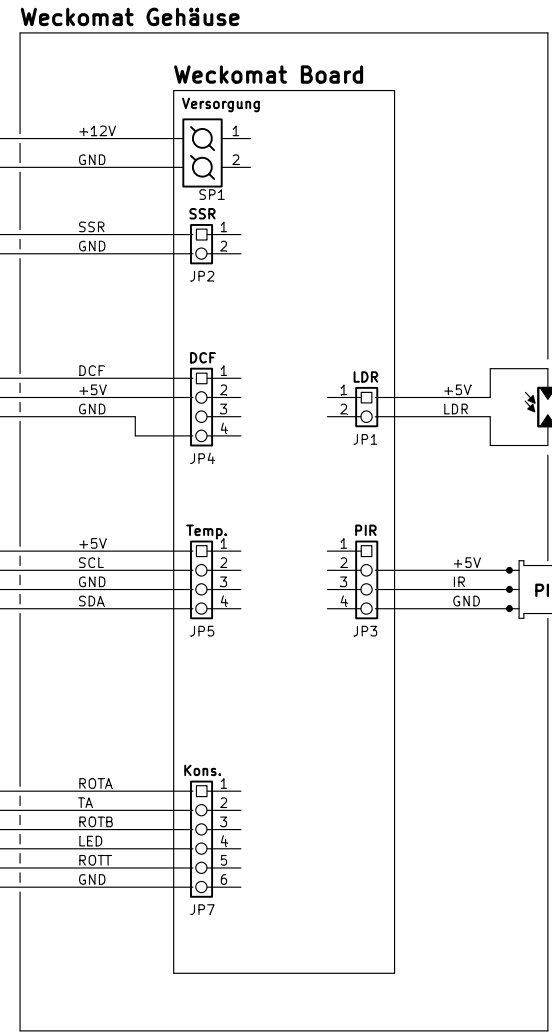
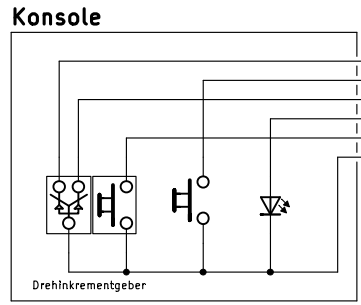
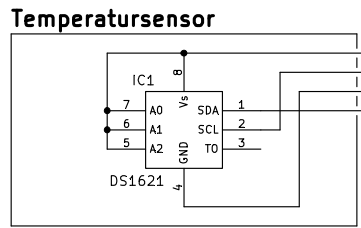
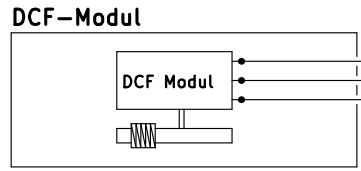
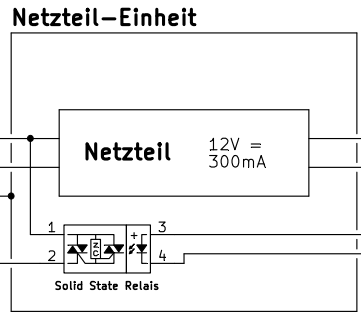
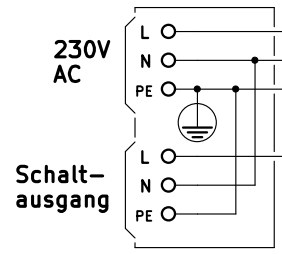


Weckomat Externe Komponenten



© 2009 Reimar Gasbon		
File:		
Sheet: /		
Title: Weckomat, Externe Komponenten		
Size: A4	Date: 12 apr 2013	Rev: 1.0
KiCad E.D.A. eschema (2013-03-31 BZR 4008)-stable		Id: 1/1